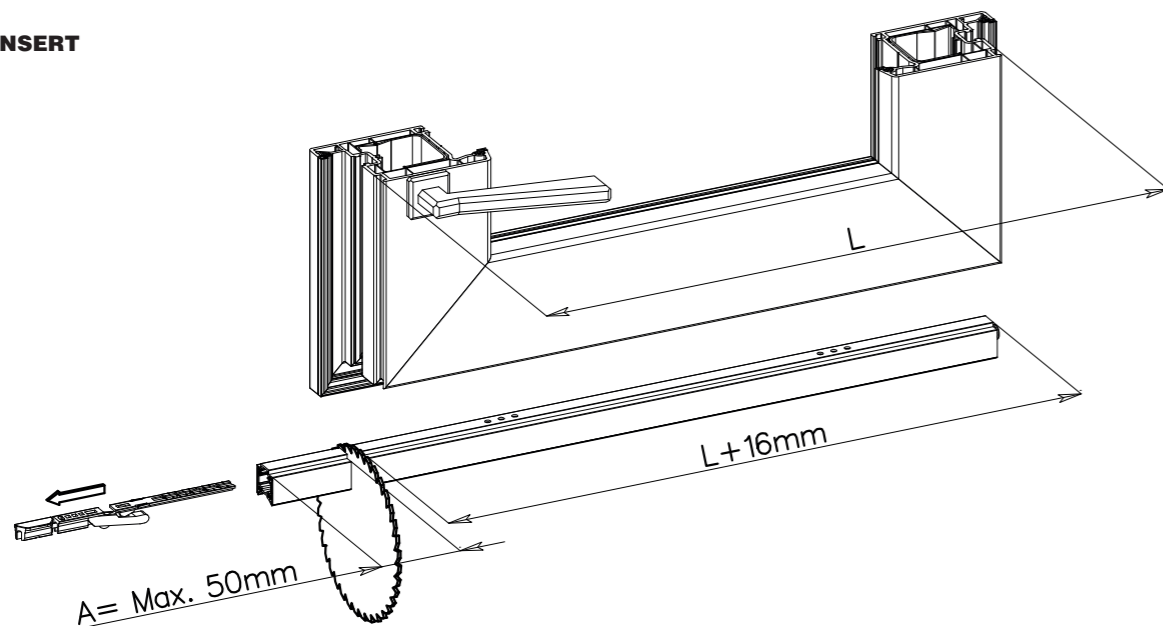
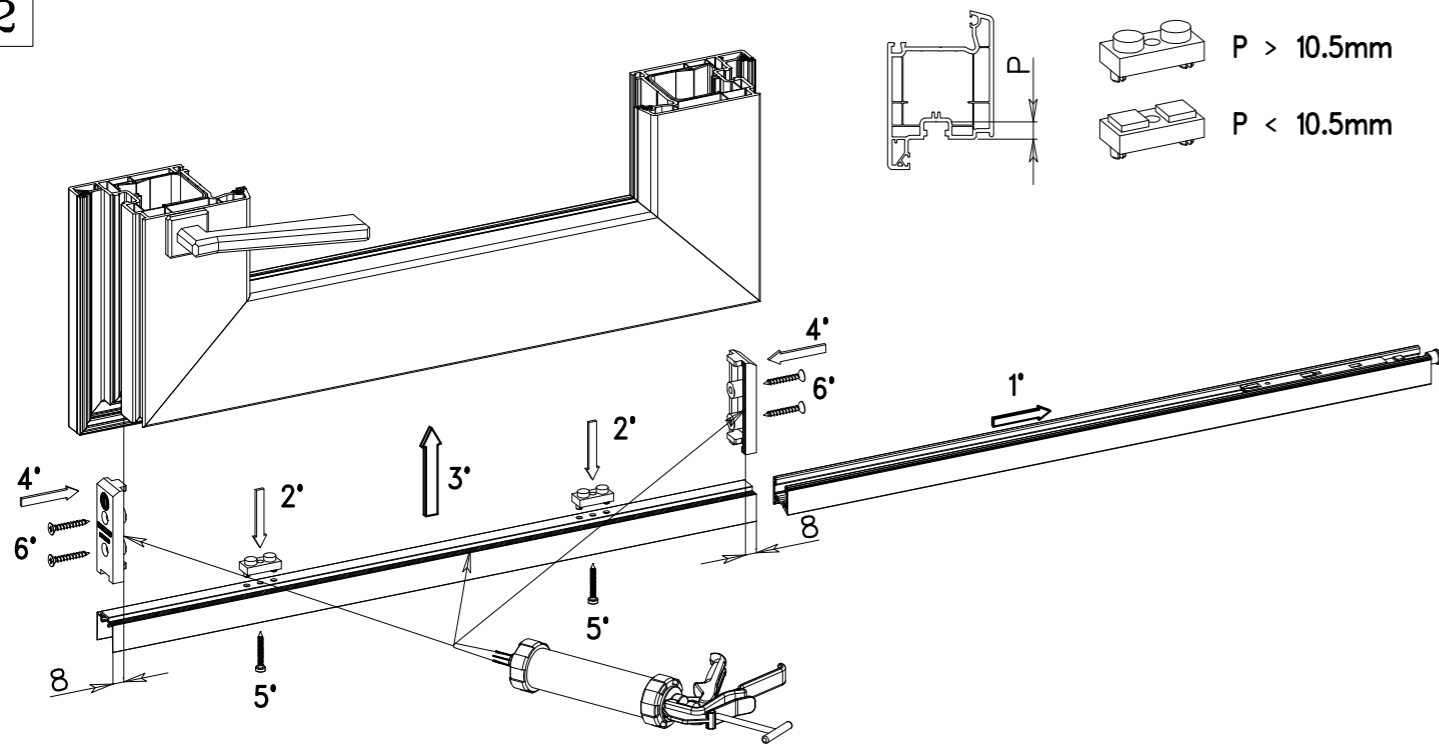


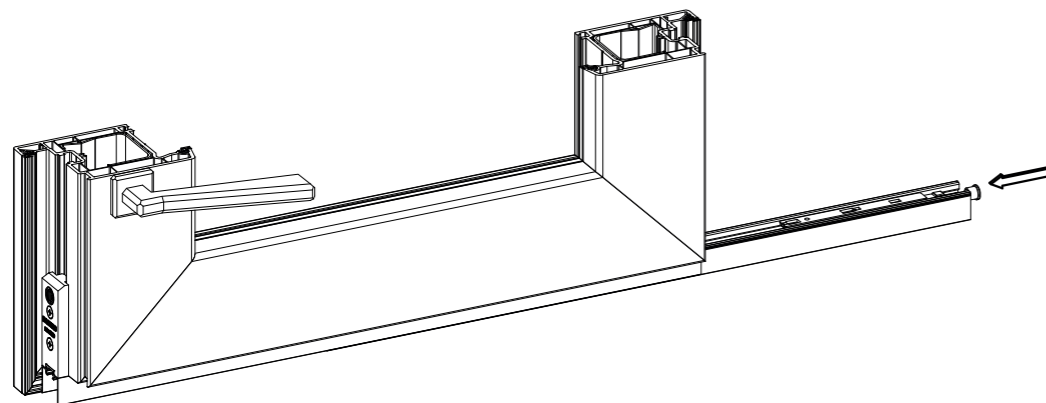
**1 CUT AND INSERT**



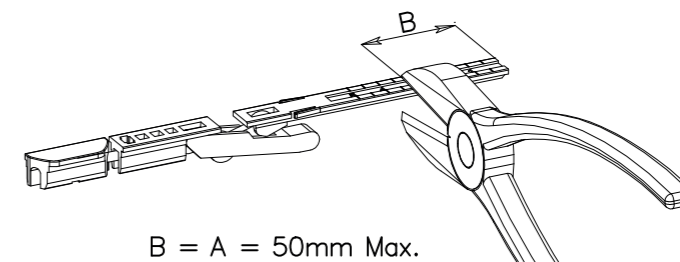
**2**



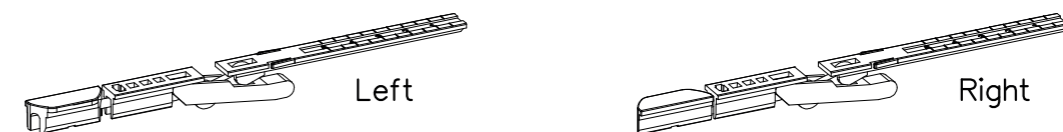
**3**



**4**



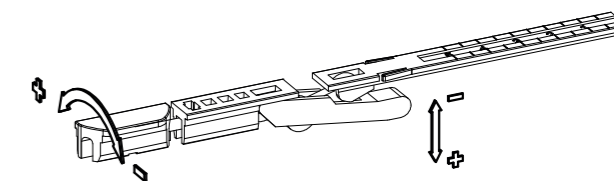
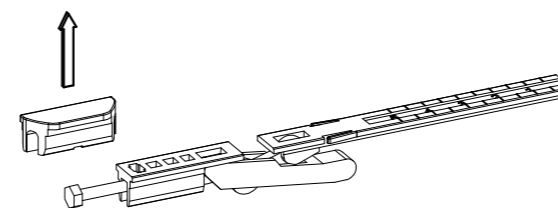
**5a**



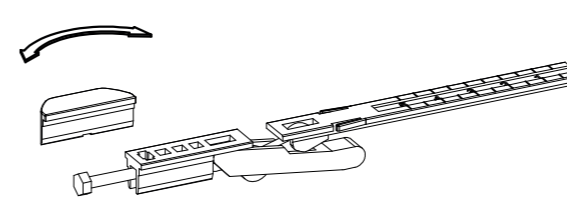
Switch from left to right

Gap adjustment

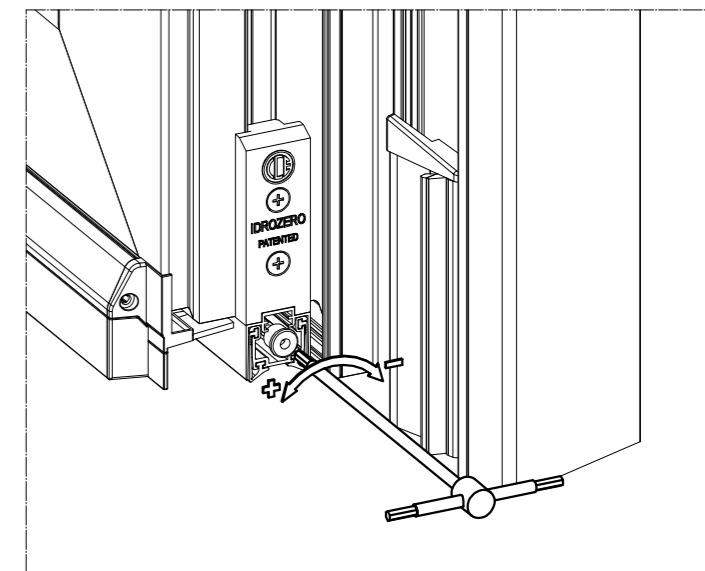
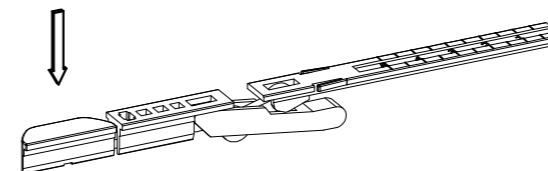
**5b**



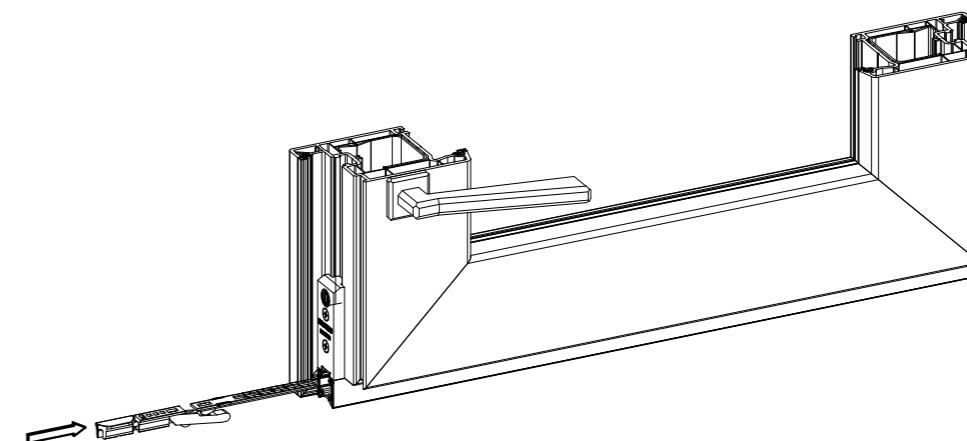
**5c**



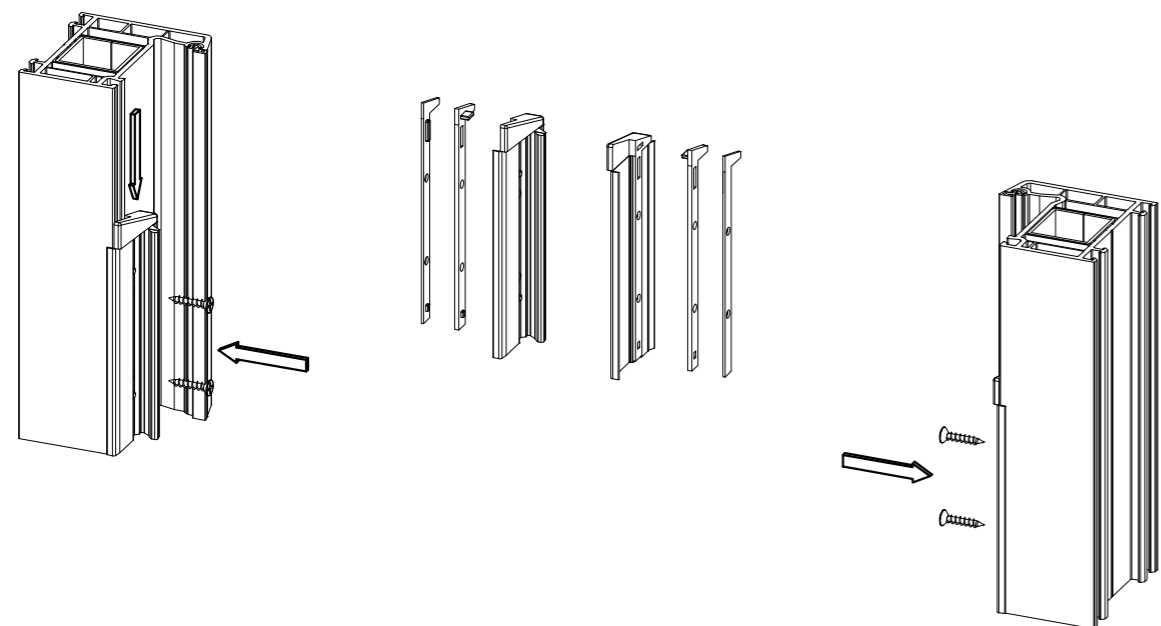
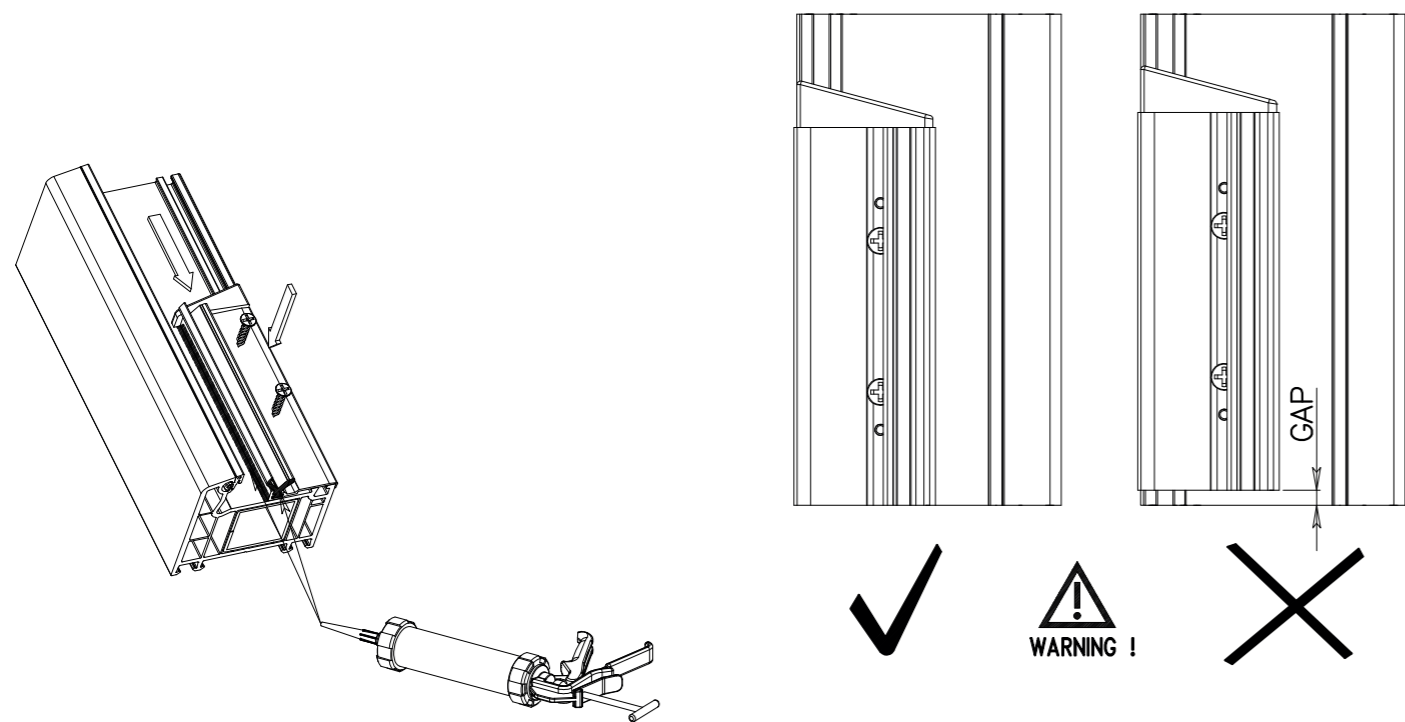
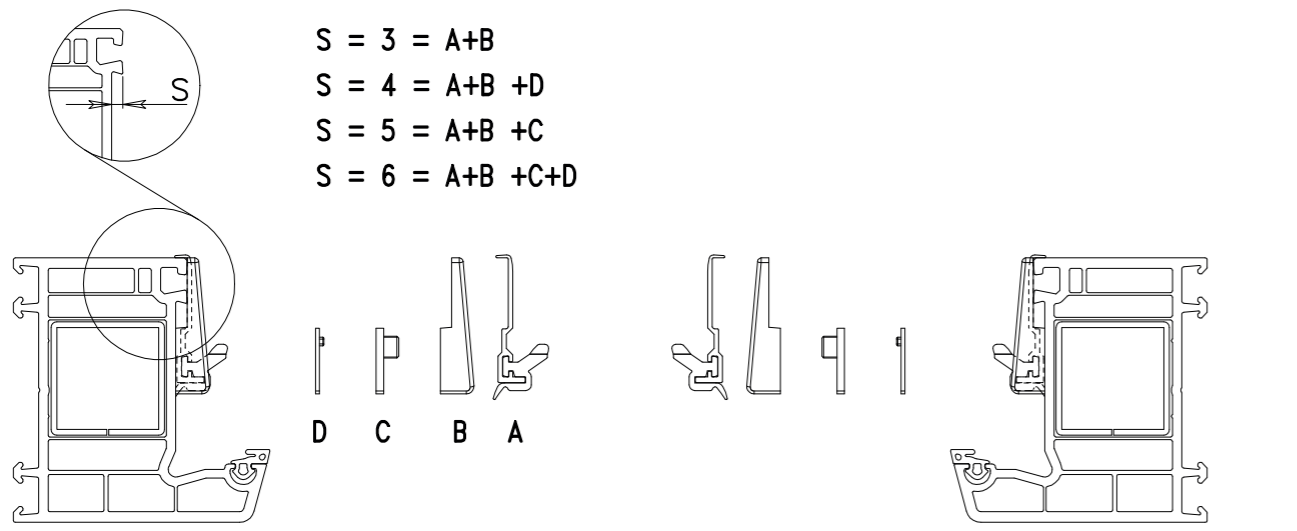
**5d**



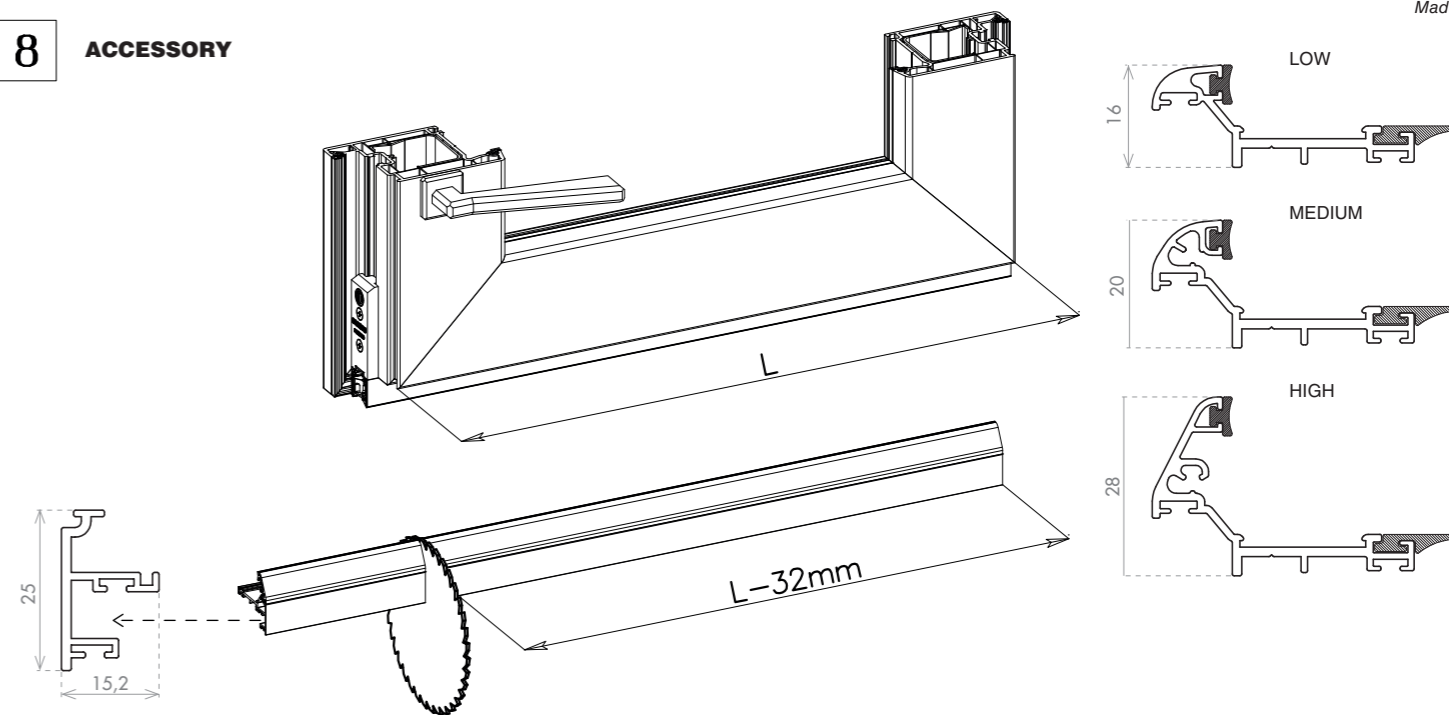
**6**



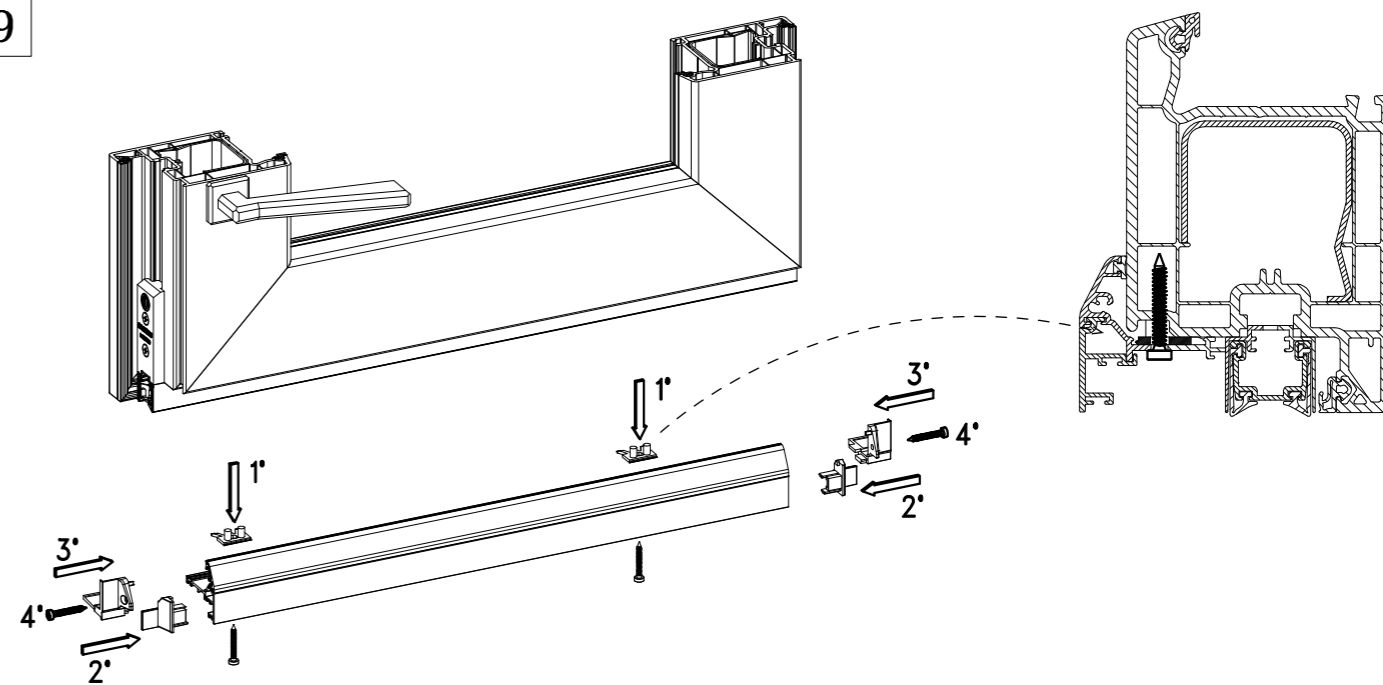
**7** FRAME SEAL



**8** ACCESSORY



**9**



**10**

