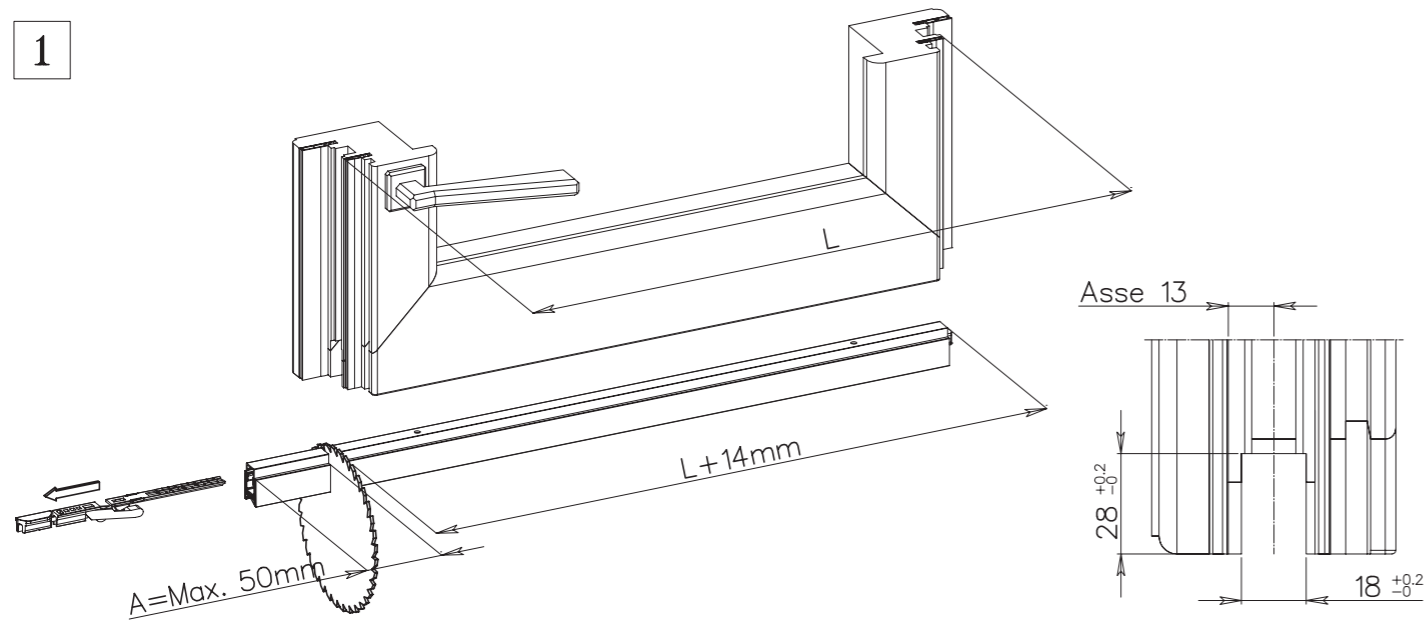
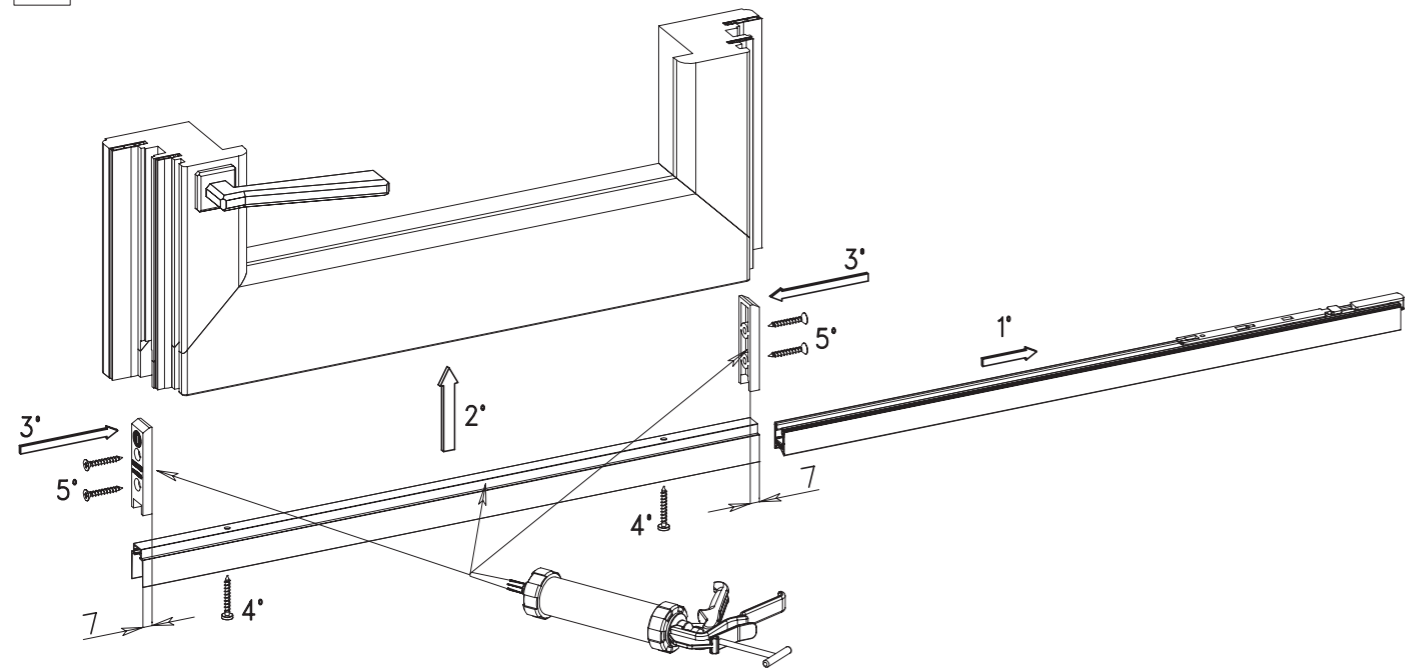


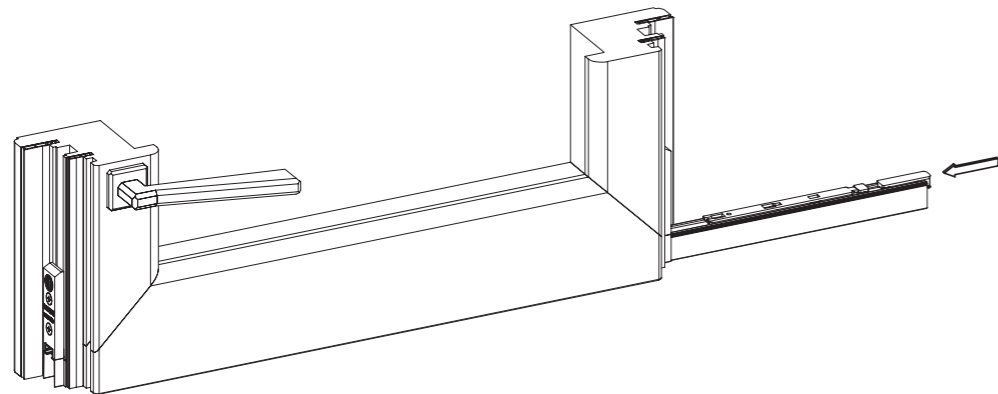
1



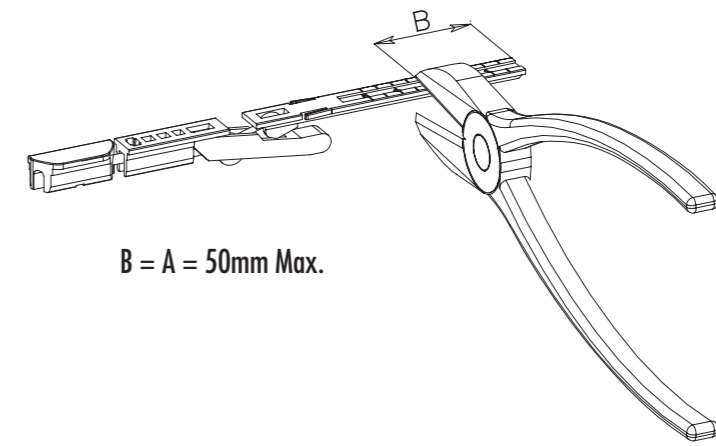
2



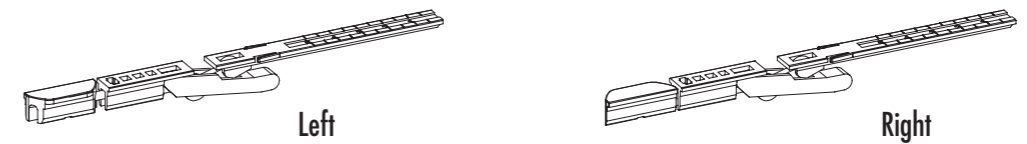
3



4



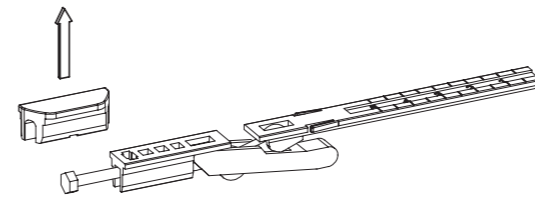
5a



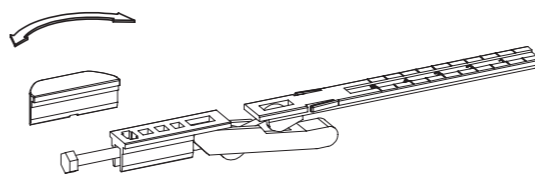
Switch from to right

Gap adjustment

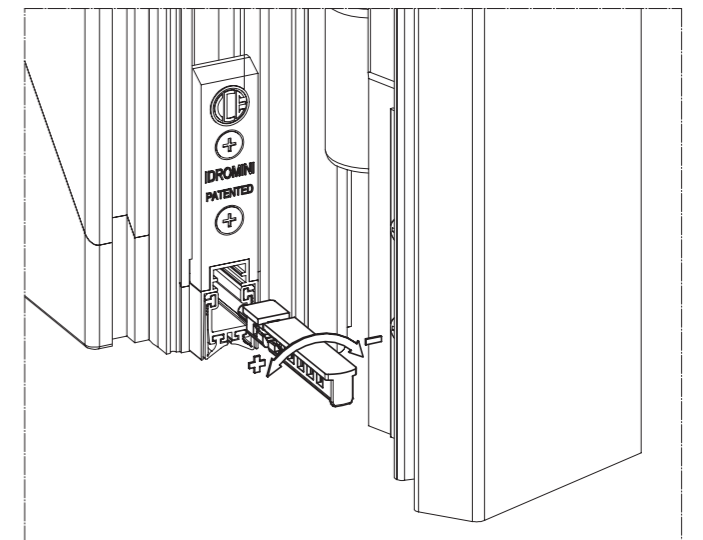
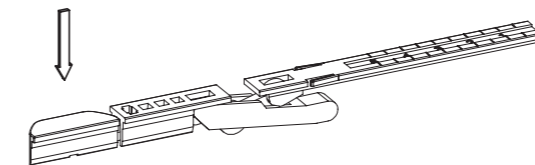
5b



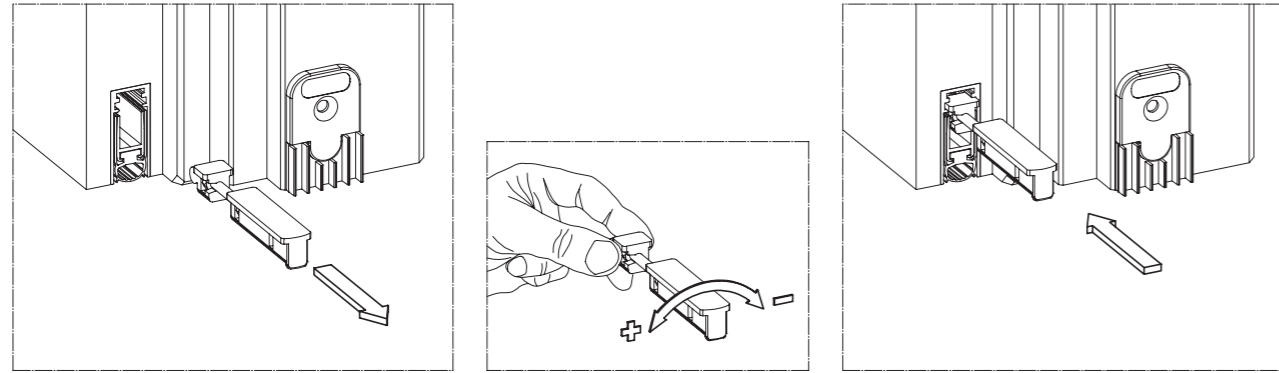
5c



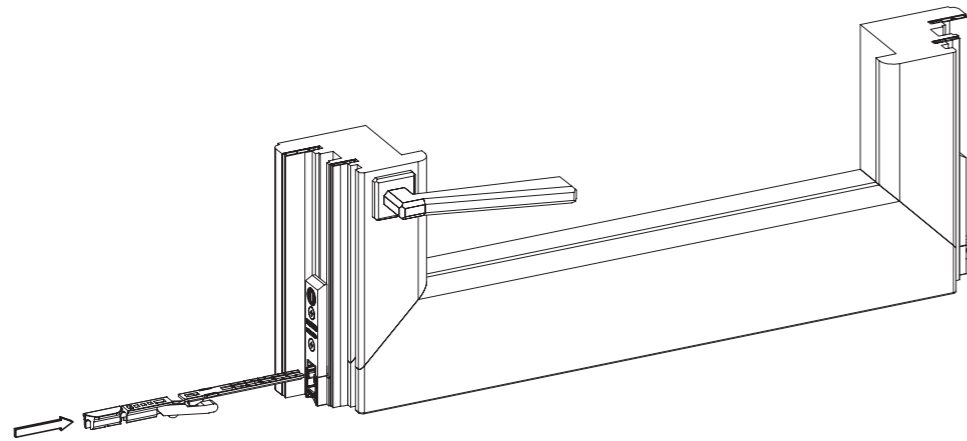
5d



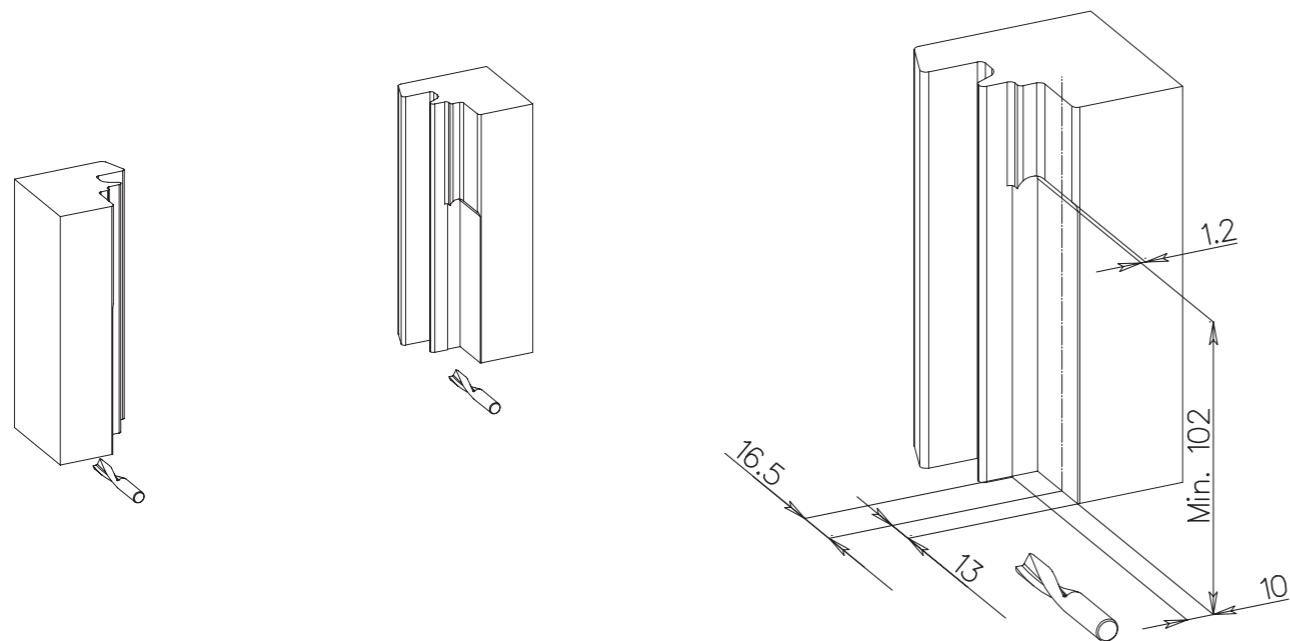
6



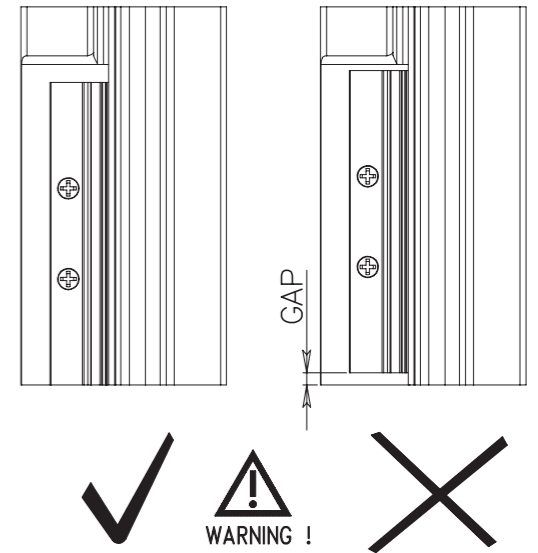
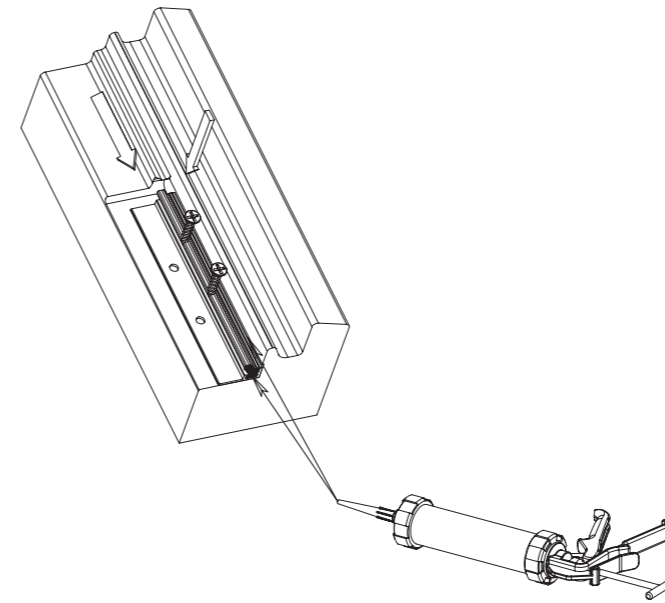
7



8



9



10

