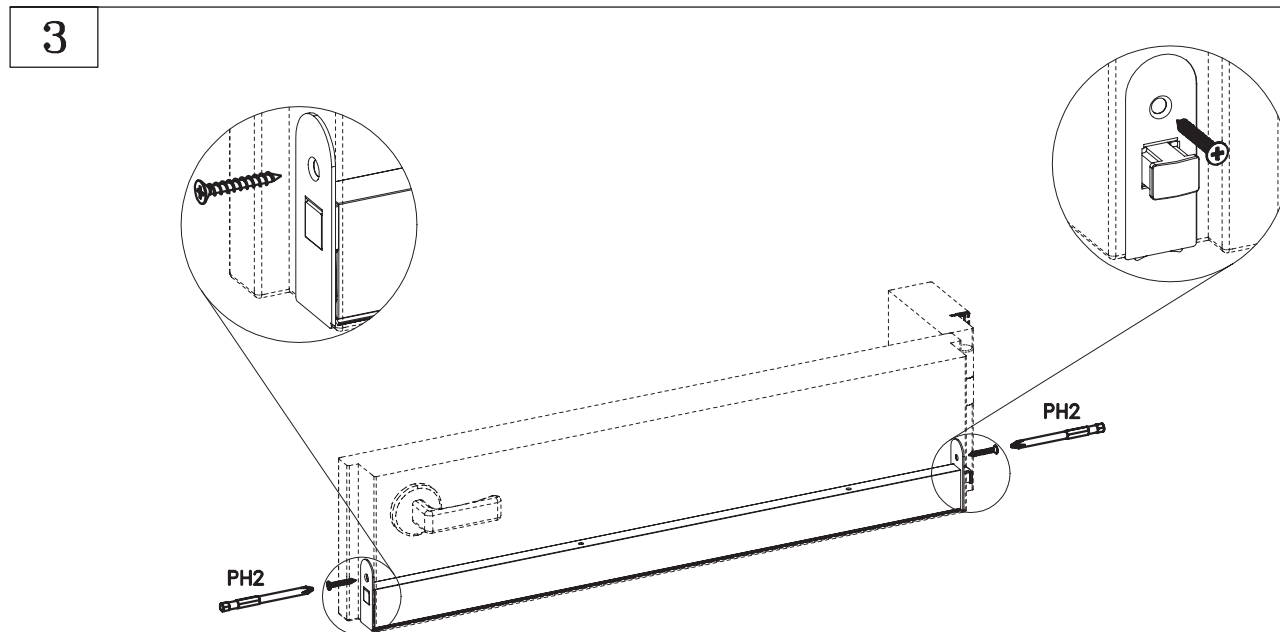
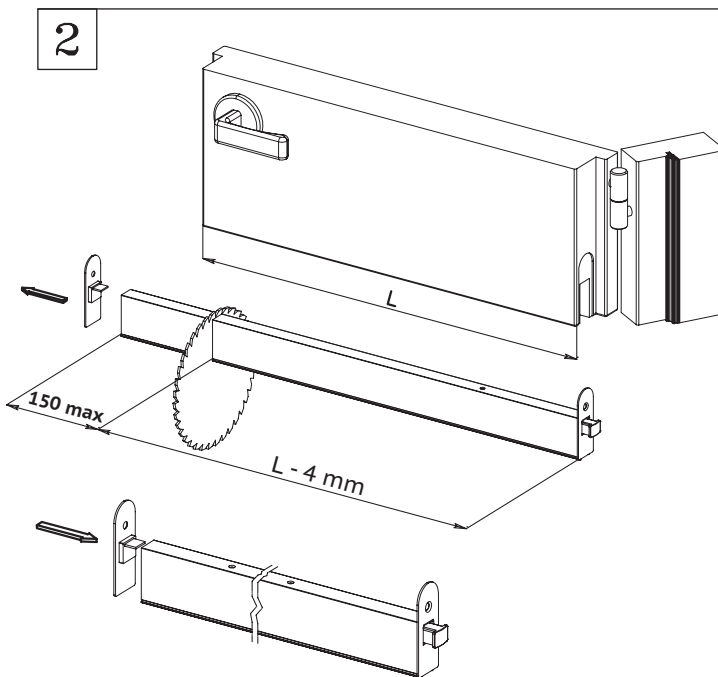
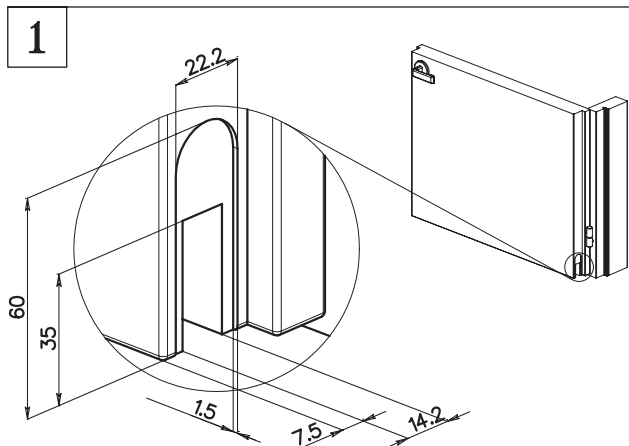
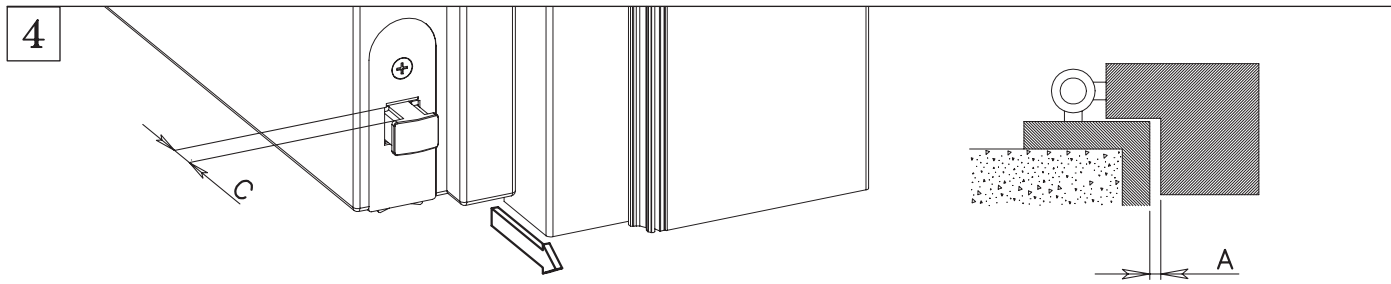




Tools
Required





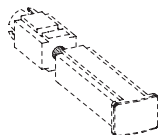
$C = A + 8 \text{ mm}$

example:

8 = fixed quote

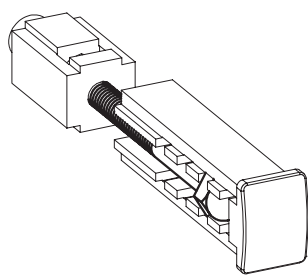
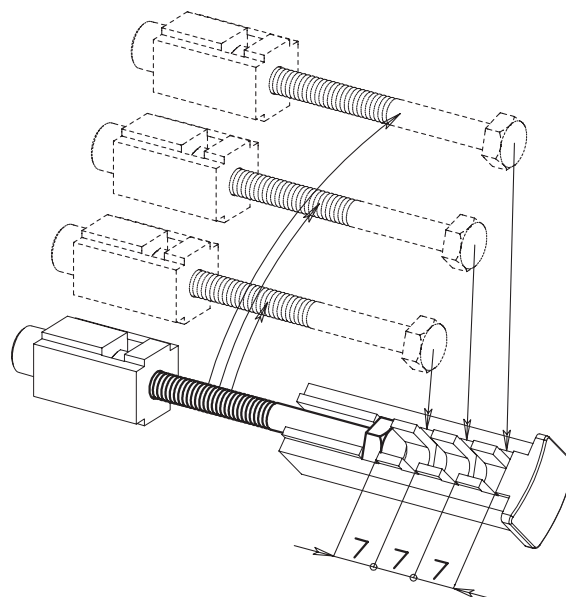
A = 5

C = (8+5)=13



MACROADJUSTMENT

Approximate C quota by steps of 7 mm.



MICROADJUSTMENT

Screw/unscrew to obtain C quota and modify seal pressure.

