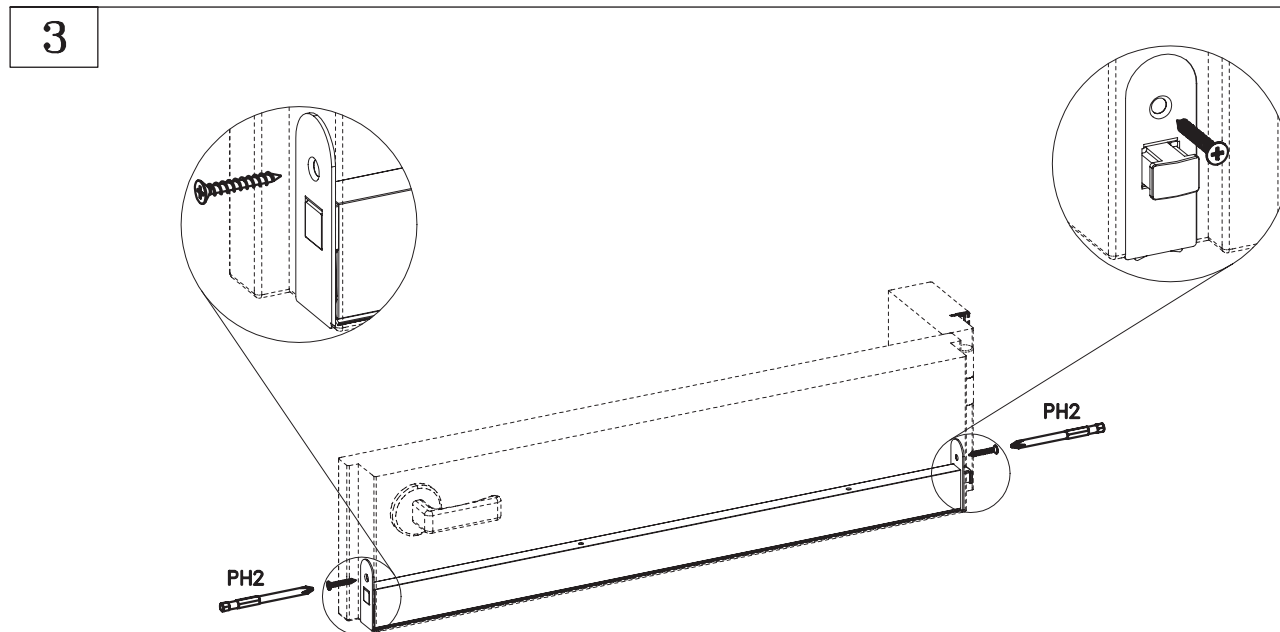
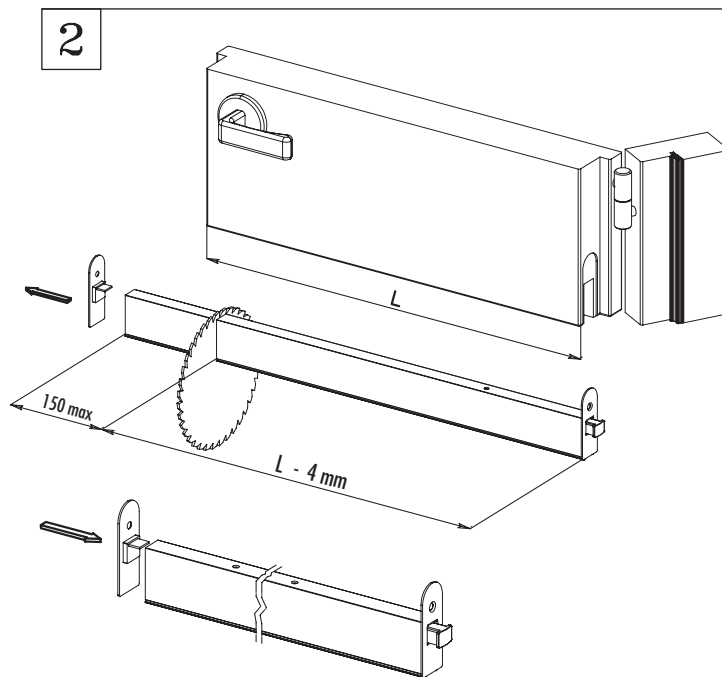
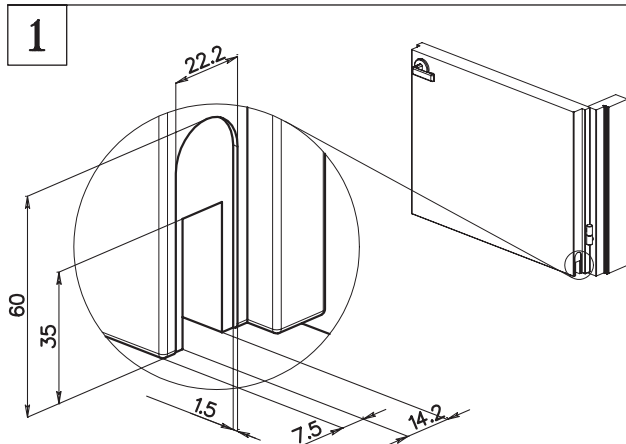
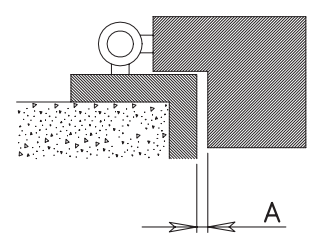
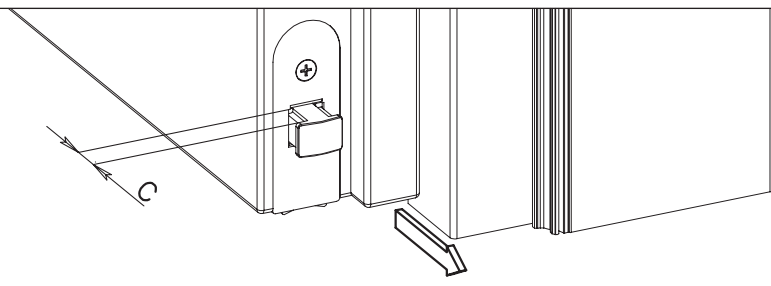




Tools
Required

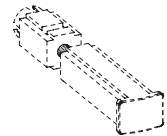


4



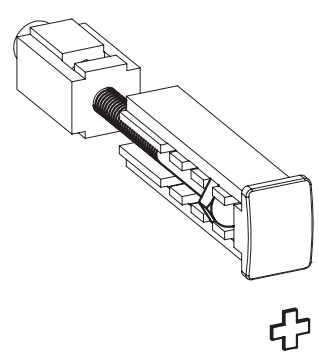
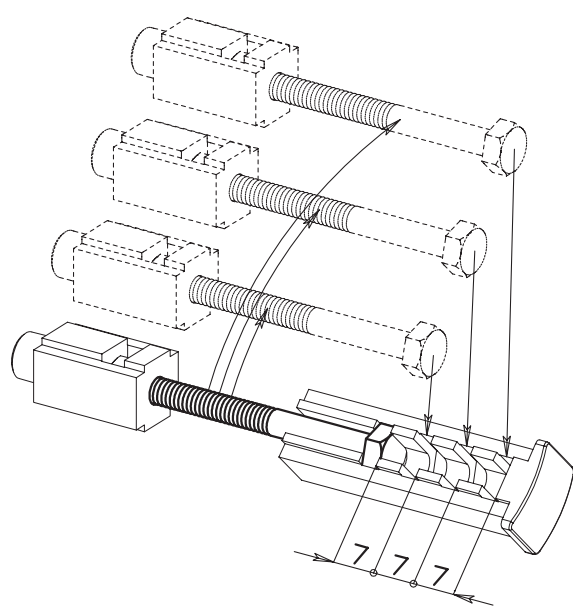
$C = A + 8 \text{ mm}$

example:
 8 = fixed quote
 A = 5
 C = (8+5)=13



MACROADJUSTMENT

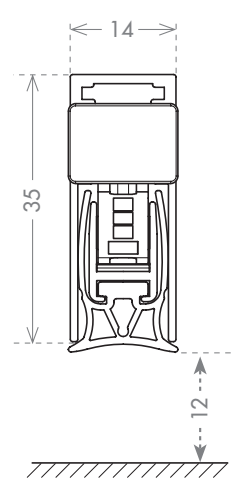
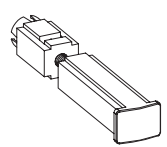
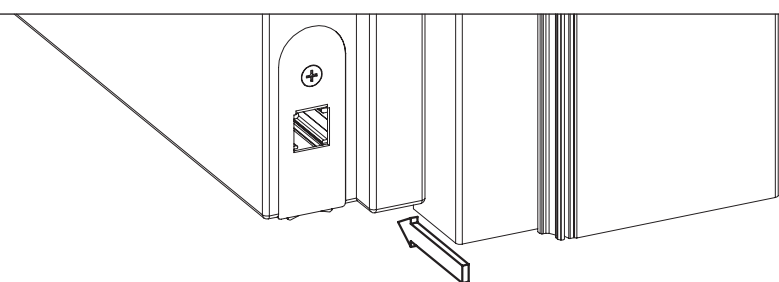
Approximate C quota by steps of 7 mm.



MICROADJUSTMENT

Screw/unscrew to obtain C quota and modify seal pressure.

5



C.C.E. cares about the environment. Our factory uses 100% solar power electricity. This sheet is printed on 100% recyclable paper. ♻️