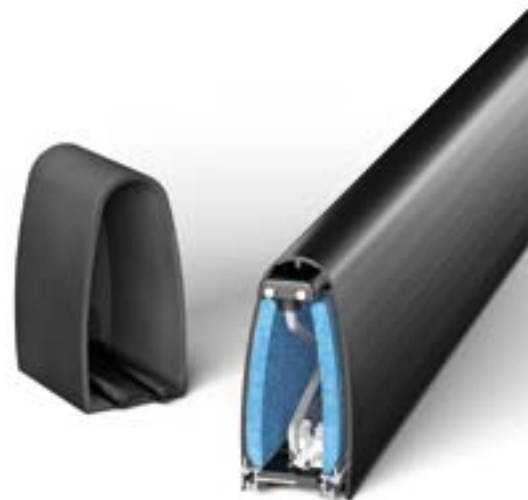
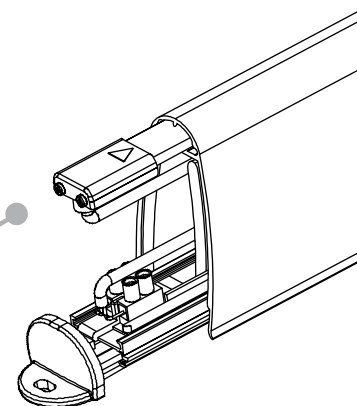


# SAFETY CONTACT EDGES



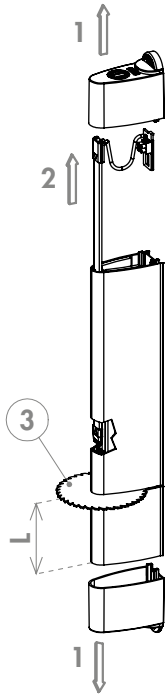
*TPE CONDUCTIVE PROFILE*

**TPE KONTAKTSCHLAUCH**

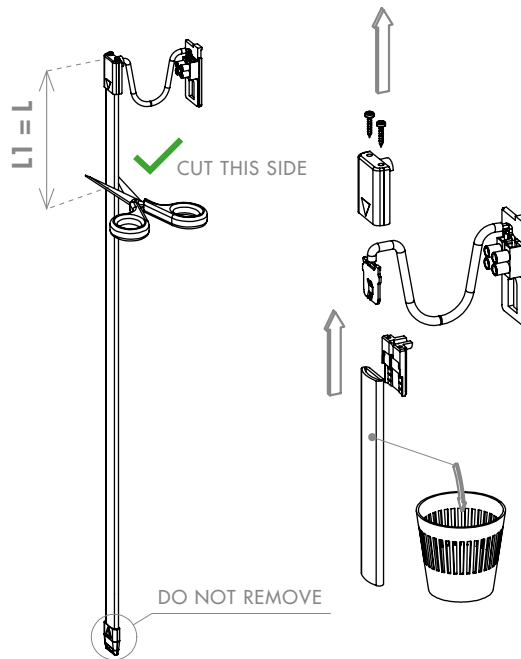


# TPE CONDUCTIVE PROFILE

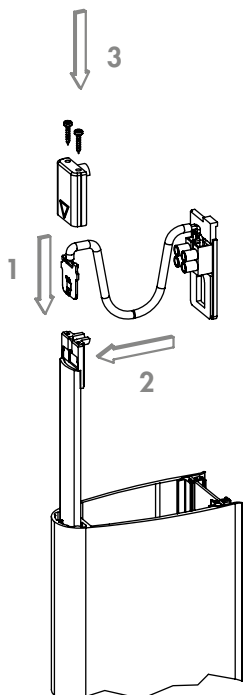
## A REMOVE END-CAPS



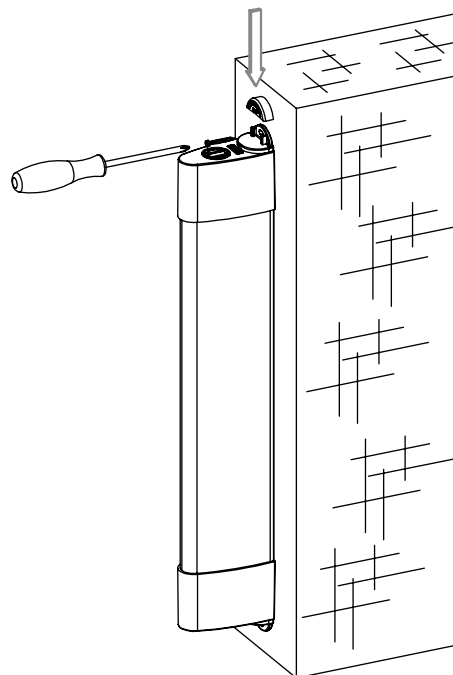
## B CUT DOWN AT WILL




## C REPLACE CONNECTOR




## D INSTALL



 Il bordo sensibile CND utilizza un **profilo conduttivo in TPE** coestruso al suo interno che garantisce risposte rapide ad ogni impatto, è accorciabile infinitamente ed è disponibile anche con trasmettitore wireless integrato.

 The CND safety edge features an inner **TPE conductive profile** which guarantees quick response to every impact, the bar can be cut down at will and is also available with integrated wireless transmitter.

 Le bord sensible CND utilise à l'intérieur un **profil conducteur coextrudé en TPE** qui garantit des réponses rapides à chaque impact, il est raccourcissable infiniment et est également disponible avec émetteur sans fil intégré.

 Kontaktleiste CND hat ein **innenliegendes koextrudiertes TPE-Profil**, das besonders rasch auf jedes Anstoßen reagiert, stufenlos ablängbar und auch mit integriertem Funk-sender erhältlich ist.

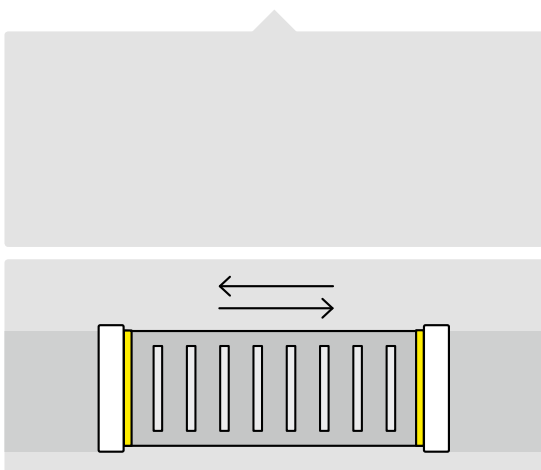
 El borde sensible CND con tecnología conductora utiliza un **perfil conductor de TPE** coextruido en su interior que garantiza respuestas rápidas en cada impacto, puede recortarse ilimitadamente y también está disponible con transmisor inalámbrico integrado.



# MAXXI CND

Safety contact edges  
for large sliding gates

## APPLICATIONS



## TECHNOLOGY

**TPE  
Conductive  
Profile**

**TEMPERATURE**

+ 55°C  
- 20°C

**DEVICE  
IP RATING**

IP65

**SIZES**

**LENGTHS AND  
TRIMMING**

1200  
1600  
2000  
2500

MAX ∞

## MAXXI CND

code: **MAXXICND**

N.O.  
 8,2 kΩ  
 IMQ

OPT 1  
 SCHEDA

OPT 2  
 RADIO MOB

## MAXXI CND RADIO

code: **MAXXICNDRM**

N.O.  
 8,2 kΩ  
 IMQ

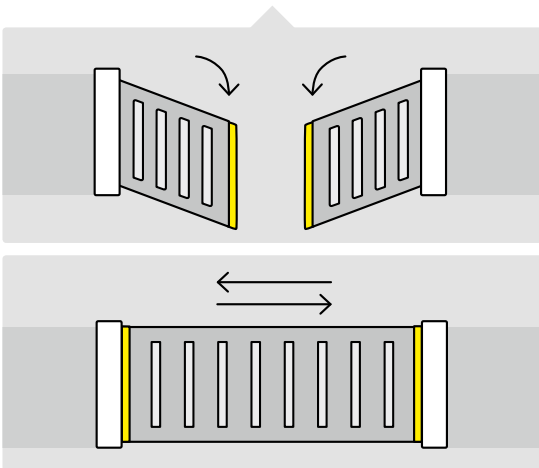
12 m  
 868 MHz

OPT 1  
 RADIO RX

# COMPATTA CND

Safety contact edges  
with compact size.

## APPLICATIONS



## TECHNOLOGY

**TPE  
Conductive  
Profile**

**TEMPERATURE**

+ 55 °C  
- 20 °C

**DEVICE  
IP RATING**

IP 65

**SIZES**

**LENGHTS AND  
TRIMMING**

1200  
1600  
2000  
2500

MAX  
∞

## COMPATTA CND

code: **COMPACND**

N.O.

8,2 kΩ

IMQ

OPT 1

SCHEDA

OPT 2

RADIO MOB

## COMPATTA CND RADIO

code: **COMPACNDRM**

N.O.

8,2 kΩ

IMQ

12 m

868 MHz

OPT 1

RADIO RX

# ACCESSORIES

## SCHEDA DI CONTROLLO

code: **SCHED2 (SAFETY CAT. 2)** - code: **SCHED3 (SAFETY CAT. 3)**



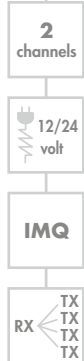
## SCATOLA

code: **SCHEDSCAT**



## RADIO MOBILE RX 868 MHz

RECEIVER code: **RADIORX868**



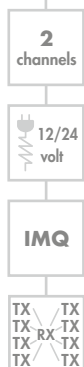
## RADIO MOBILE TX 868 MHz

TRANSMITTER code: **RADIOTX868**



## RADIO MOBILE RX 2,4 GHz

RECEIVER code: **RADIORX24**



## RADIO MOBILE TX 2,4 GHz

TRANSMITTER code: **RADIOTX24**



**C.C.E. srl**  
**Costruzioni Chiusure Ermetiche**

Via dell'Artigianato, 16  
35010 Villa del Conte (PD) - ITALY  
Tel. +39 049 9325073  
Fax +39 049 9325384  
<http://www.cce.it>  
e-mail: info@cce.it

